



## DP Series Specifications

### DP-10 Port Dimensions

Intake & discharge connection:

Polypropylene (PPG)	3/8" Female NPT
Aluminum (ADC-12)	3/8" Female NPT
Stainless Steel (316)	3/8" Female NPT

### DP-15 Port Dimensions

Intake & discharge connection:

Polypropylene (PPG)	1/2" Female NPT
Groundable Acetal	1/2" Female NPT

### Air Inlet/Exhaust

Air inlet (incl. ball valve):	1/4" Female NPT
Air exhaust (incl. silencer):	3/8" Female NPT

### Maximum Liquid Temperature\*

Diaphragm Material	Temperature
Neoprene	82° C (180° F)
Buna N	82° C (180° F)
Hytrel® (TPEE)	120° C (248° F)
Santoprene® (TPO)	100° C (212° F)
Viton® fluoroelastomer	120° C (248° F)
Teflon® (PTFE)	100° C (212° F)

\*The maximum liquid temperature for metal and Kynar®-fitted pumps is determined by the Elastomer (diaphragm material). Polypropylene and Groundable Acetal pumps have a maximum liquid temperature of 82° C (180° F) regardless of diaphragm material.

### Air Supply Pressure (All Models)

1,7 - 7 BAR (20-100 PSI)

### Discharge Volume Per Cycle

76cc (0,020 gallons)  
93cc (0,025 gallons)

### Maximum Cycles Per Minute

All diaphragms: 300

### Maximum Size Solid

1 mm (1/32")

### Maximum Dry Suction Lift

All diaphragms: 1,5 mtr

### Aluminum Air Motor-Standard

Optional: Epoxy-coated, Teflon®-coated, or Electroless Nickel Plate

Notes: Hytrel®-fitted pumps include PTFE check Balls & wetted o-rings. Santoprene®-fitted pumps include EPDM check balls & wetted o-rings.



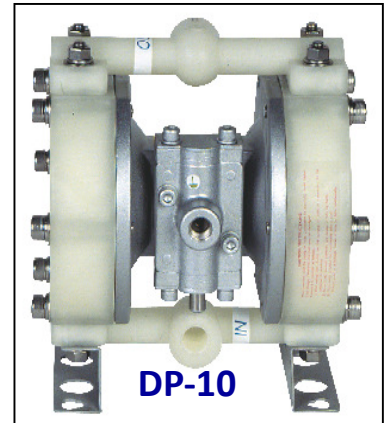
**DP-10**

### Aluminum

Dimensions: 186 mm W x 241 mm H  
Net Wt.: 3,6 kg (7,9 lbs.)  
Shipping Wt.: 4,5 kg (9,9 lbs.)

### Stainless Steel

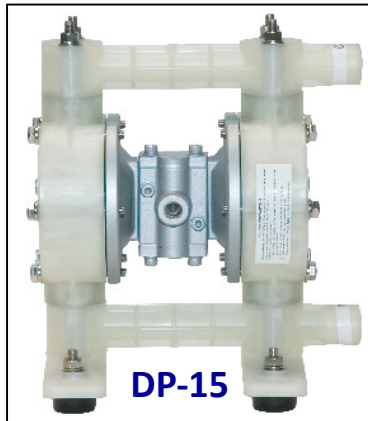
Dimensions: 186 mm W x 241 mm H  
Net Wt.: 3,6 kg (7,9 lbs.)  
Shipping Wt.: 4,5 kg (9,9 lbs.)



**DP-10**

### Polypropylene

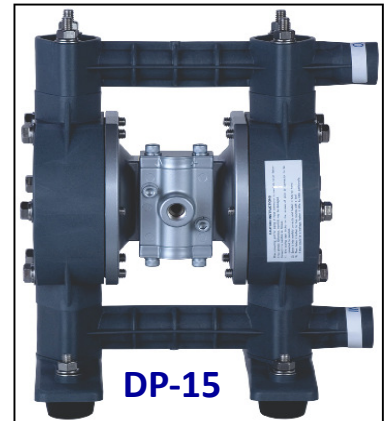
Dimensions: 196 mm W x 196 mm H  
Net Wt.: 3,1 kg (6,8 lbs.)  
Shipping Wt.: 4,0 kg (8,8 lbs.)



**DP-15**

### Groundable Acetal

Dimensions: 246 mm W x 297 mm H  
Net Wt.: 4,0 kg (9 lbs.)  
Shipping Wt.: 5,4 kg (12 lbs.)



**DP-15**

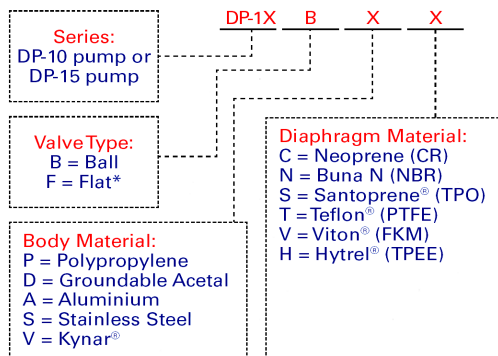
### Polypropylene

Dimensions: 246 mm W x 297 mm H  
Net Wt.: 4,0 kg (9 lbs.)  
Shipping Wt.: 5,4 kg (12 lbs.)

### Kynar

Dimensions: 246 mm W x 297 mm H  
Net Wt.: 4,0 kg (9 lbs.)  
Shipping Wt.: 5,4 kg (12 lbs.)

### Model Number Nomenclature

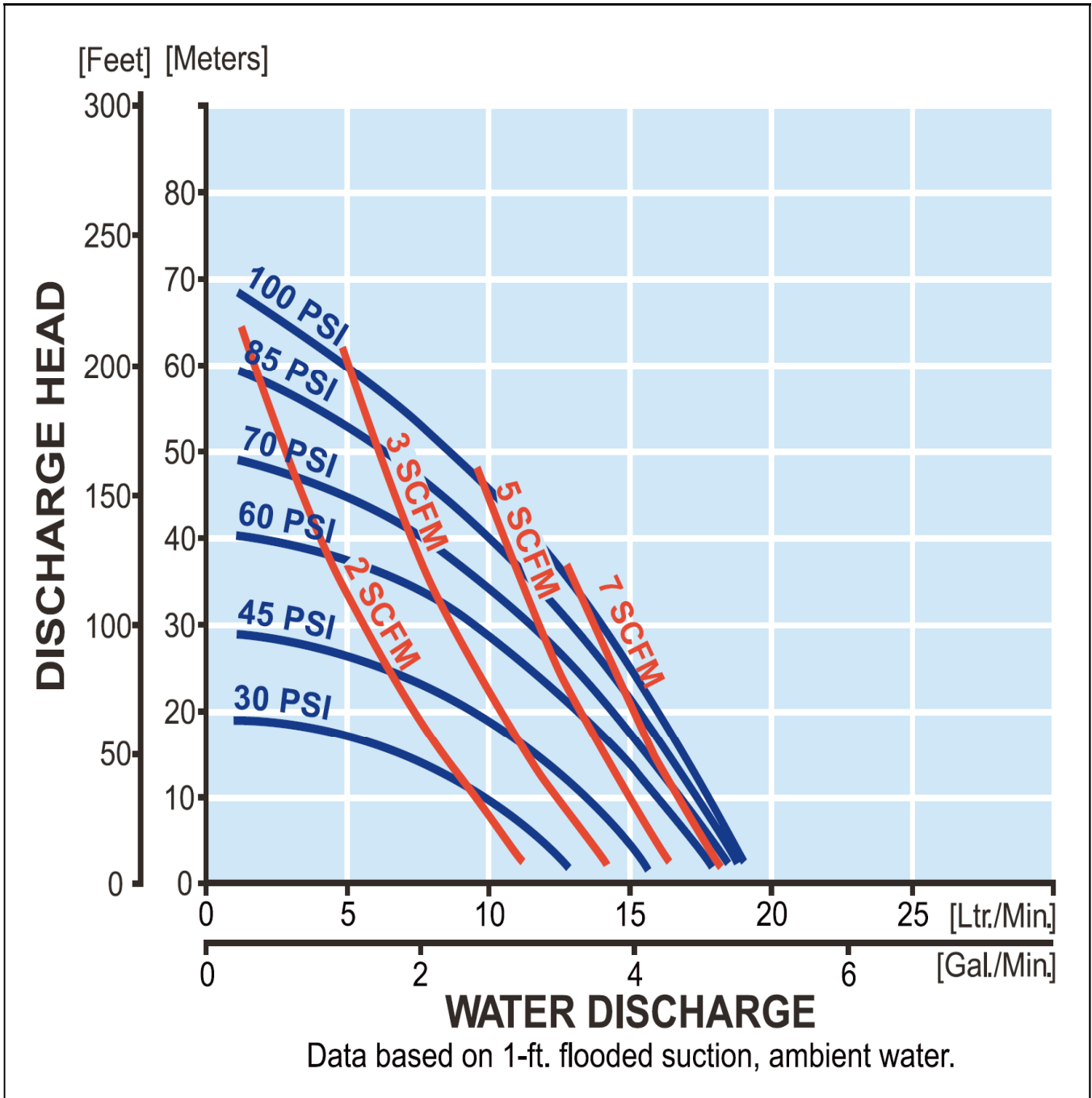


\* Flat valves available for DP-15 pumps only.  
NOTE: Additional options listed on page 28.



## DP 10 Performance Curve

### All Diaphragm Materials

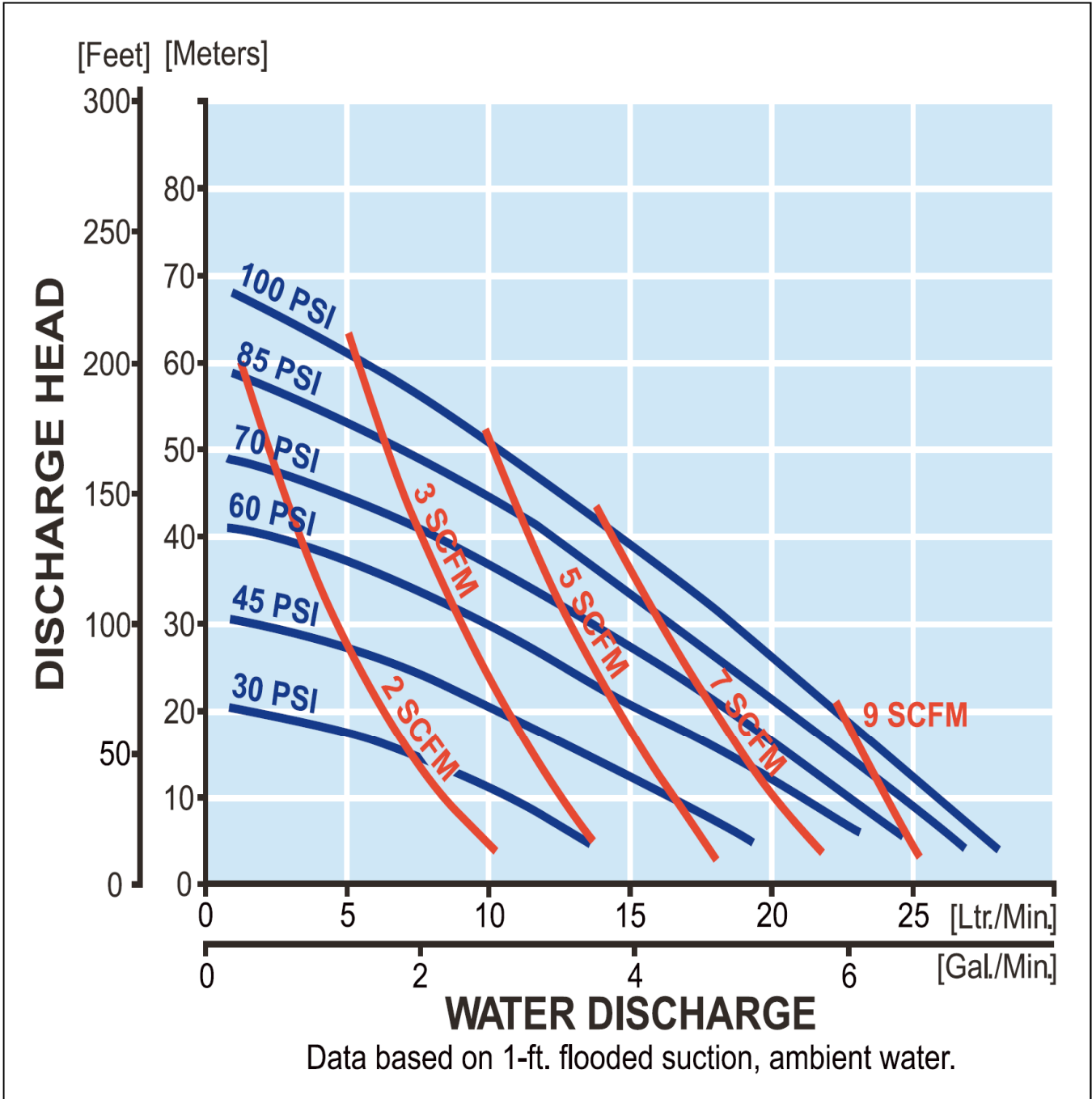


To calculate performance for Santoprene® and Hytrel®-fitted pumps, use Rubber Diaphragm Curve.

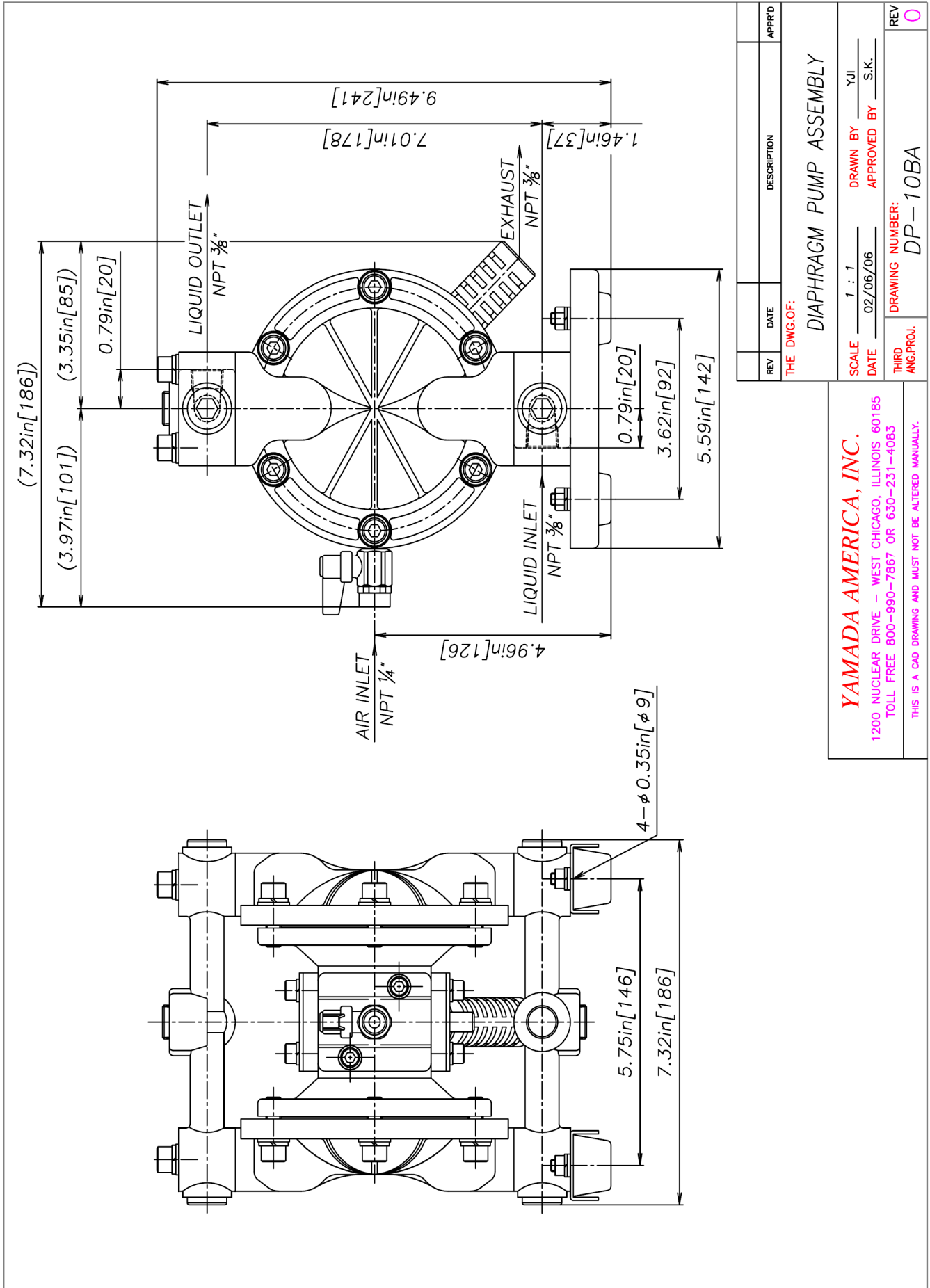


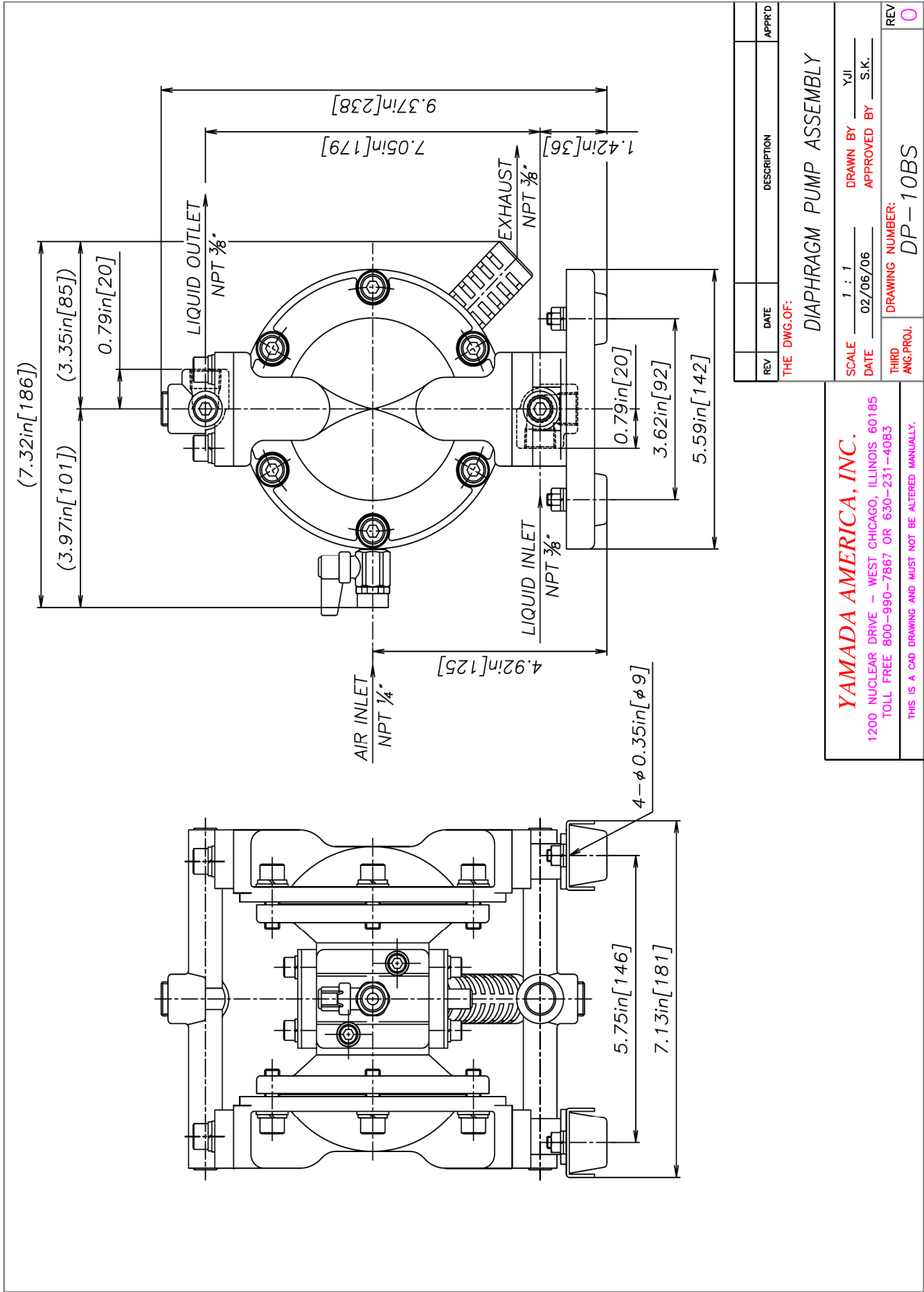
## DP 10 Performance Curve

### All Diaphragm Materials



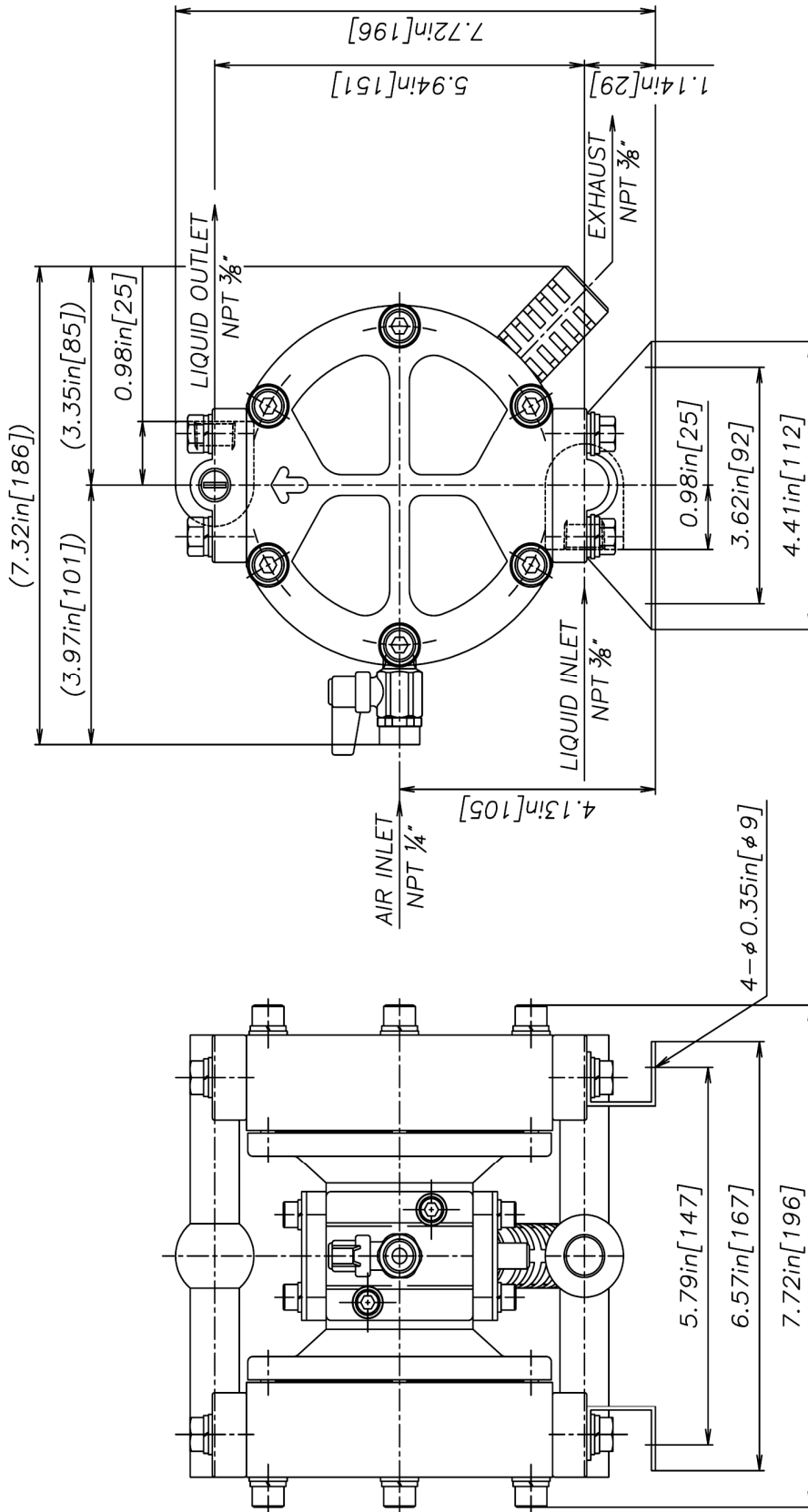
To calculate performance for Santoprene® and Hytrel®-fitted pumps, use Rubber Diaphragm Curve.





REV	DATE	DESCRIPTION	APP'D
THE DWG. OF:			
<b>DIAPHRAGM PUMP ASSEMBLY</b>			
SCALE	1 : 1	DRAWN BY	YJI
DATE	02/06/06	APPROVED BY	S.K.
THIRD ANG. PROJ.	DRAWING NUMBER:	DP-10BS	
REV	0		

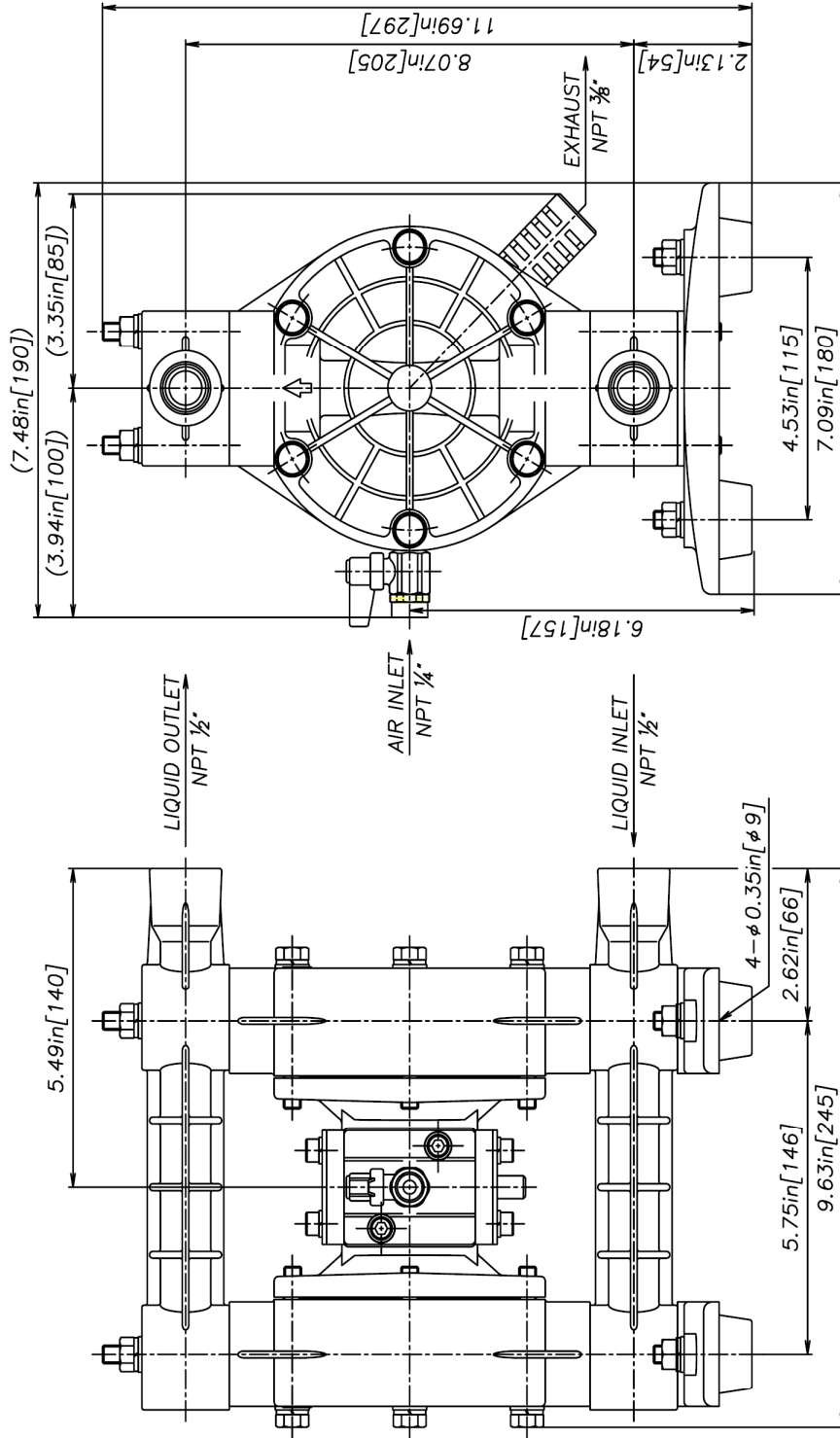
**YAMADA AMERICA, INC.**  
 1200 NUCLEAR DRIVE - WEST CHICAGO, ILLINOIS 60185  
 TOLL FREE 800-990-7867 OR 630-231-4083  
 THIS IS A CAD DRAWING AND MUST NOT BE ALTERED MANUALLY.



REV	DATE	DESCRIPTION	APPRD
THE DWG. OF:			
<b>DIAPHRAGM PUMP ASSEMBLY</b>			
SCALE 1 : 1		DRAWN BY YJI	
DATE 02/06/06		APPROVED BY S.K.	
THRD	ANG.PROJ.	DRAWING NUMBER: DP-10BP	REV 0

**YAMADA AMERICA, INC.**  
 1200 NUCLEAR DRIVE - WEST CHICAGO, ILLINOIS 60185  
 TOLL FREE 800-990-7867 OR 630-231-4083  
 THIS IS A CAD DRAWING AND MUST NOT BE ALTERED MANUALLY.





REV	DATE	DESCRIPTION	APPRD
THE DWG. OF:			
DIAPHRAGM PUMP ASSEMBLY			
SCALE	1 : 1	DRAWN BY	YJI
DATE	02/10/06	APPROVED BY	S.K.
THIRD ANG. PROJ.	DRAWING NUMBER: DP-15F/B PLASTIC		
REV	0		

**YAMADA AMERICA, INC.**  
 1200 NUCLEAR DRIVE - WEST CHICAGO, ILLINOIS 60185  
 TOLL FREE 800-990-7867 OR 630-231-4083  
 THIS IS A CAD DRAWING AND MUST NOT BE ALTERED MANUALLY.



AutoCAD® is a registered trademark of Autodesk, Inc.

Hytrel® is a registered trademark of E.I. du Pont de Nemours and Company.

Kynar® is a registered trademark of Arkema.

Nordel™ is a trademark of DuPont Dow Elastomers.

Ryton® is a registered trademark of Chevron Phillips Chemical Company.

Santoprene® is a registered trademark of Advanced Elastomers Systems.

Swagelok® & VCR® are trademarks of the Swagelok Companies.

Teflon® is a registered trademark of E.I. du Pont de Nemours and Company.

Viton® is a registered trademark of DuPont Performance Elastomers.

Due to Yamada's continued commitment to product improvement, specifications may change without notice.